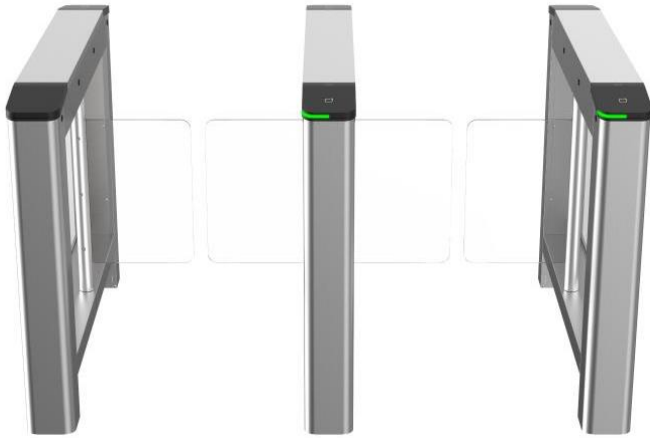


Model – AHALTS SB02



The AHALTS SB02 series swing barrier with 4 pairs of IR lights is designed to detect unauthorized entrance or exit. By adopting the swing barrier integratedly with the access control system, person should authenticate to pass through the lane via presenting IC or ID card, scanning QR code, etc. It is widely used in factories, construction sites, residences, etc.

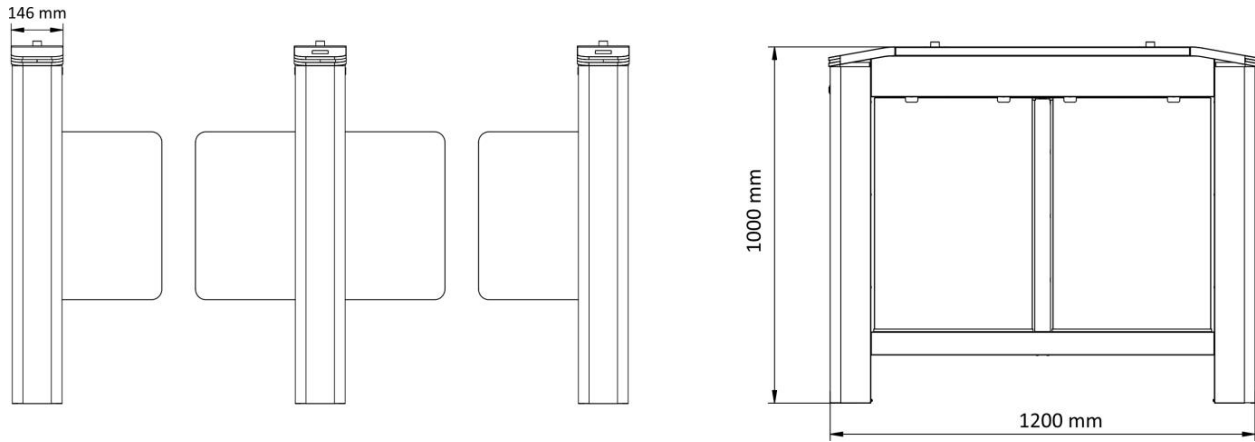
- 4 pairs of IR light detectors: Permissions validation and anti-tailgating
- LED light indicates passing direction
- Valid passing duration settings: System will cancel the passing permission if a person does not pass through the lane within the valid passing duration
- Door remaining open when fire alarm triggered: The door wings will be free status

Specification

System	
Motor	Brushless motor
MCBF	≥ 3 million
Interface	
Exit button	2
Alarm input	1
General	
Throughput	20 to 60 persons per minute The actual throughput is affected by the person passing rate and passing method.
IR light detectors	4 pairs
Lane width	650 mm (25.6")/900 mm (35.4")
Barrier material	Acrylic glass
Pedestal material	stainless steel
Built-in access controller	No
Power supply	100 to 240 VAC; 50 to 60 Hz
Power consumption	100 W
Working temperature	-30 °C to 65 °C (-22 °F to 149 °F)
Working humidity	10% to 95% (No Condensing)
Dimensions	1205 mm (47.44") × 146 mm (5.75") × 1000 mm (39.37");
Weight	(Net) Left: 17.03 kg (37.5 lbs); Middle: 23 kg (50.7 lbs); Right: 18.6 kg (41 lbs);
Application environment	Indoor and outdoor

AHALTS ACCESS CONTROL SERIES

Dimension



Tip Top Platform Pvt. Ltd.

A-3, Sardar Patel Marg, C Scheme, Jaipur, Rajasthan, India 302001

Website: www.ahalts.com

Branch – INDIA, UAE